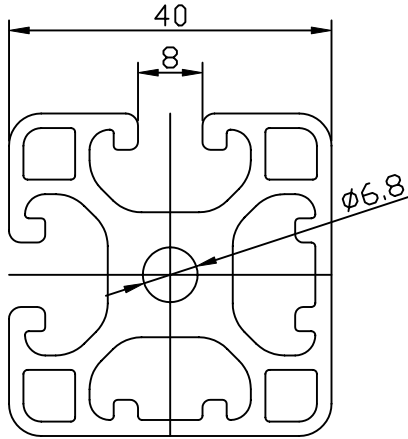
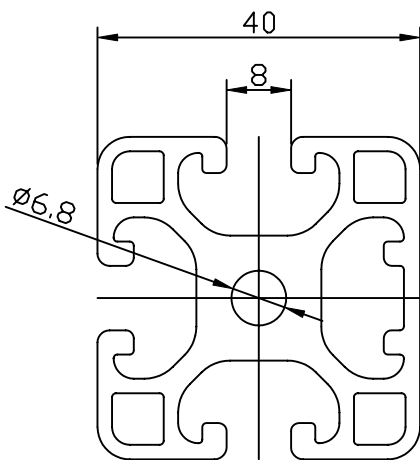


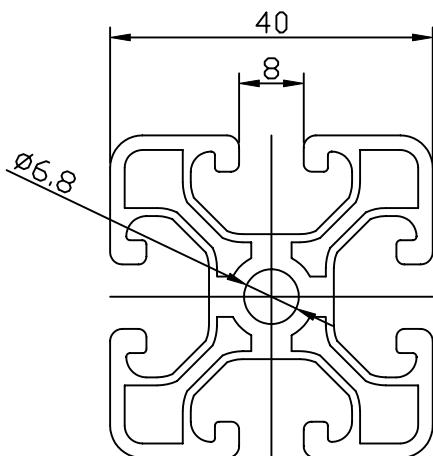
PART NO. : G8-SPH4016
 LENGTH : 5.5 M MAX
 DESCRIPTION : PROFILE 8 40X16 HEAVY
 MATERIAL : ALUMINIUM 6063-T5
 TREATMENT : NATURAL ANODISE
 WEIGHT : 1.13KG/M



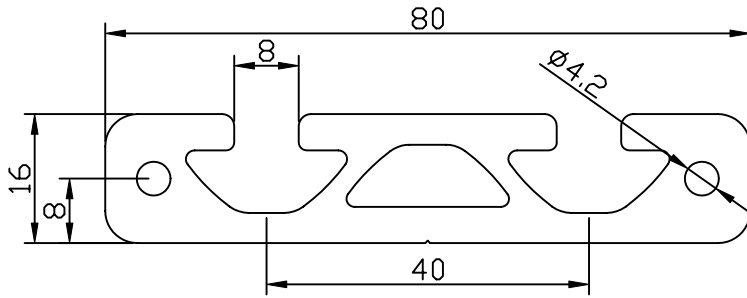
PART NO. : G8-SPL4040 2N90
 LENGTH : 5.5 M MAX
 DESCRIPTION : PROFILE 8 40X40 2N90 LIGHT
 MATERIAL : ALUMINIUM 6063-T5
 TREATMENT : NATURAL ANODISE
 WEIGHT : 1.13KG/M



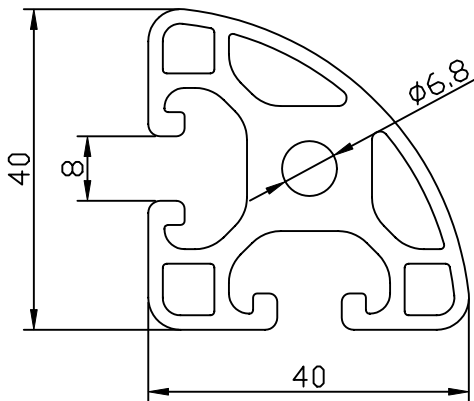
PART NO. : G8-SPL4040-1N
 LENGTH : 5.5 M MAX
 DESCRIPTION : PROFILE 8 40X40 1N LIGHT
 MATERIAL : ALUMINIUM 6063-T5
 TREATMENT : NATURAL ANODISE
 WEIGHT : 1.78KG/M



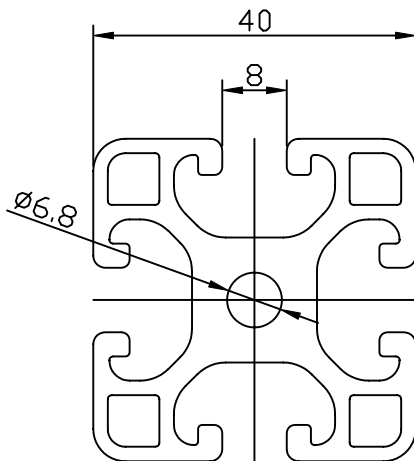
PART NO. : G8-SPE4040
 LENGTH : 5.5 M MAX
 DESCRIPTION : PROFILE 8 40X40 ECON
 MATERIAL : ALUMINIUM 6063-T5
 TREATMENT : NATURAL ANODISE
 WEIGHT : 1.37KG/M



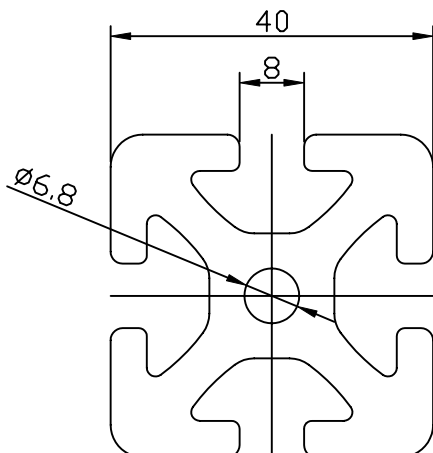
PART NO. : G8-SPH8016
 LENGTH : 5.5 M MAX
 DESCRIPTION : PROFILE 8 80X16 HEAVY
 MATERIAL : ALUMINIUM 6063-T5
 TREATMENT : NATURAL ANODISE
 WEIGHT : 2.20KG/M



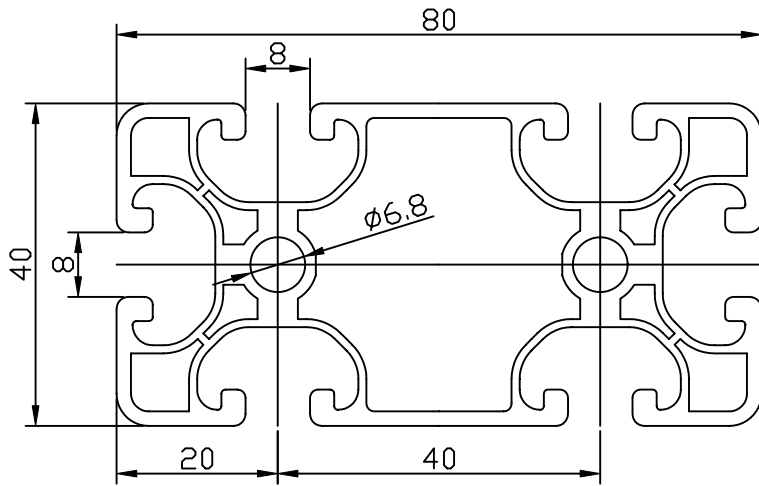
PART NO. : G8-SPL4040 R90
 LENGTH : 5.5 M MAX
 DESCRIPTION : PROFILE 8 40X40 R90 LIGHT
 MATERIAL : ALUMINIUM 6063-T5
 TREATMENT : NATURAL ANODISE
 WEIGHT : 1.54KG/M



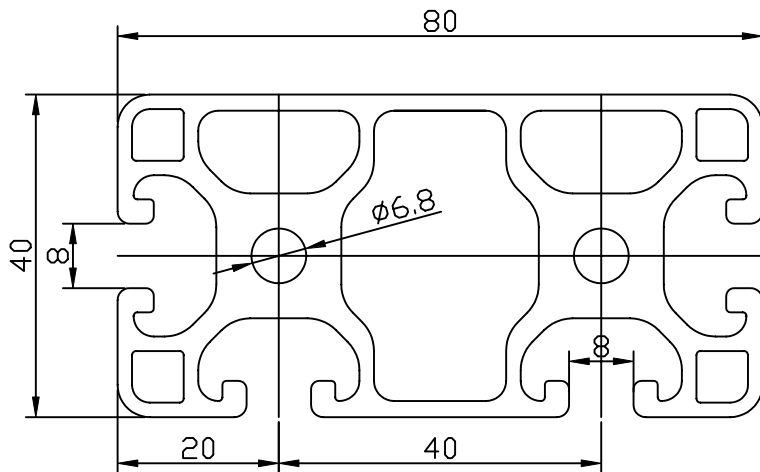
PART NO. : G8-SPL4040
 LENGTH : 5.5 M MAX
 DESCRIPTION : PROFILE 8 40X40 LIGHT
 MATERIAL : ALUMINIUM 6063-T5
 TREATMENT : NATURAL ANODISE
 WEIGHT : 1.74KG/M



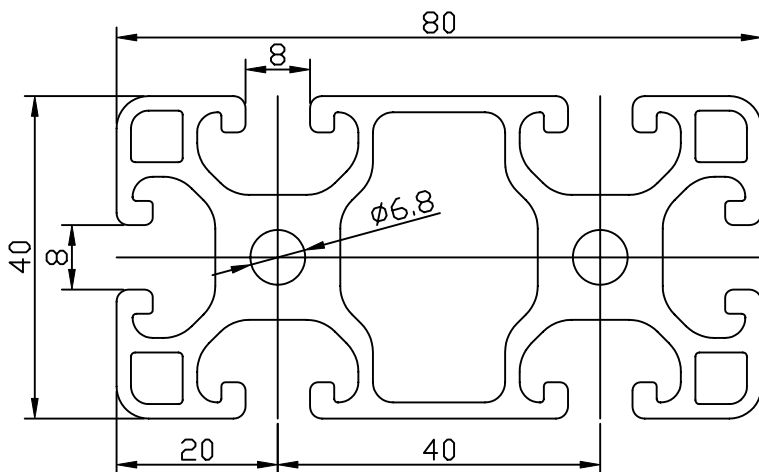
PART NO. : G8-SPH4040
 LENGTH : 5.5 M MAX
 DESCRIPTION : PROFILE 8 40X40 HEAVY
 MATERIAL : ALUMINIUM 6063-T5
 TREATMENT : NATURAL ANODISE
 WEIGHT : 2.47KG/M



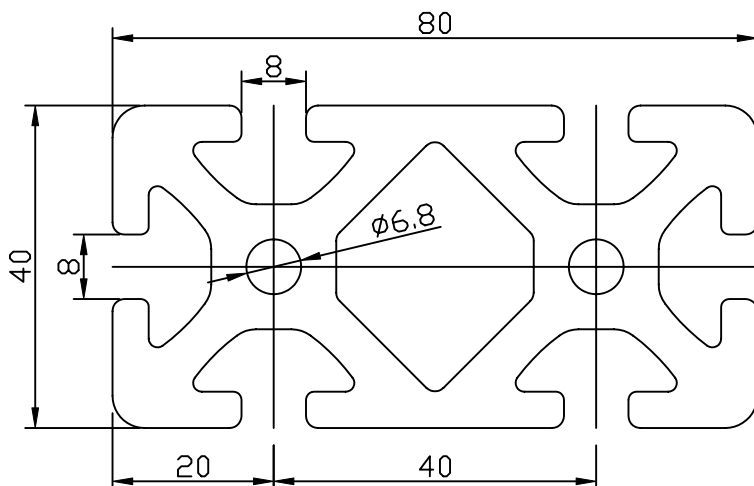
PART NO. : G8-SPE8040
 LENGTH : 5.5 M MAX
 DESCRIPTION : PROFILE 8 80X40 ECON
 MATERIAL : ALUMINIUM 6063-T5
 TREATMENT : NATURAL ANODISE
 WEIGHT : 2.42KG/M



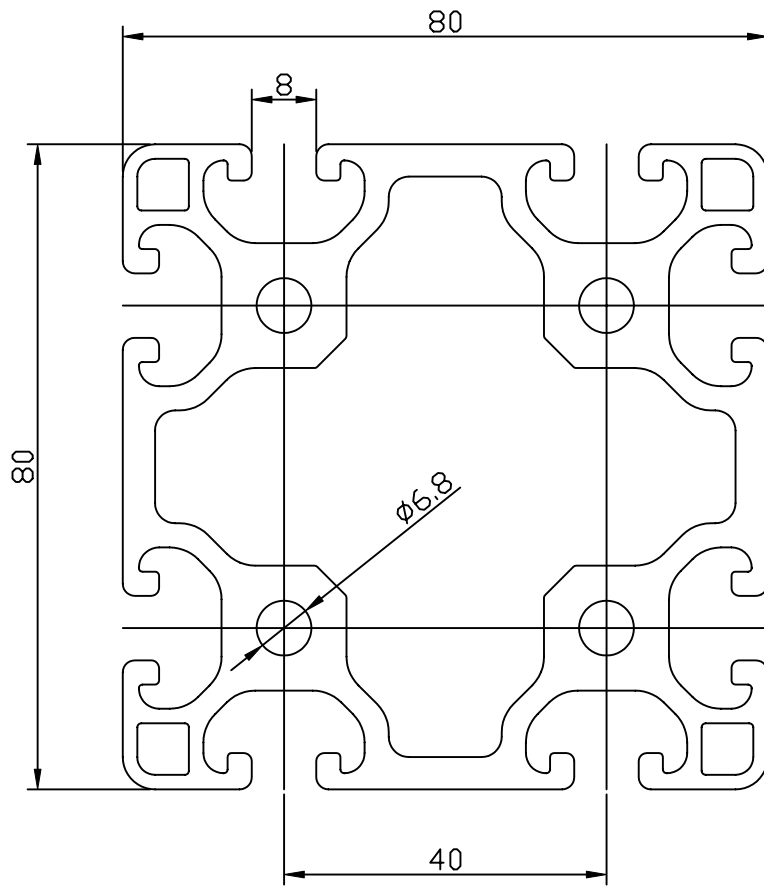
PART NO. : G8-SPL8040 2N
 LENGTH : 5.5 M MAX
 DESCRIPTION : PROFILE 8 80X40 2N LIGHT
 MATERIAL : ALUMINIUM 6063-T5
 TREATMENT : NATURAL ANODISE
 WEIGHT : 3.13KG/M



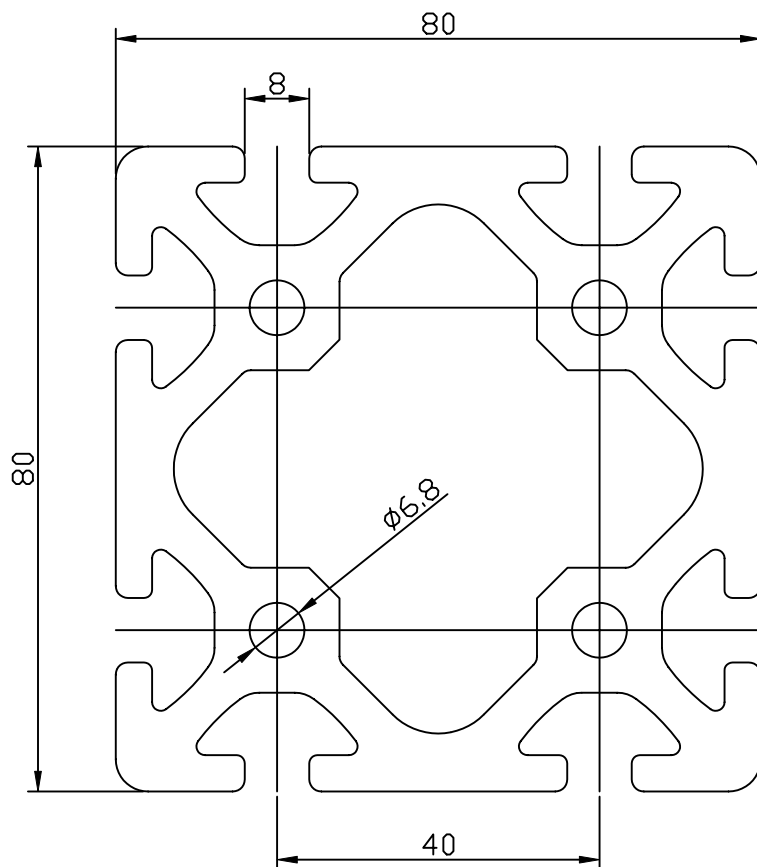
PART NO. : G8-SPL8040
 LENGTH : 5.5 M MAX
 DESCRIPTION : PROFILE 8 80X40 LIGHT
 MATERIAL : ALUMINIUM 6063-T5
 TREATMENT : NATURAL ANODISE
 WEIGHT : 3.04KG/M



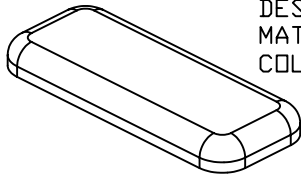
PART NO. : G8-SPH8040
 LENGTH : 5.5 M MAX
 DESCRIPTION : PROFILE 8 80X40 HEAVY
 MATERIAL : ALUMINIUM 606-T5
 TREATMENT : NATURAL ANODISE
 WEIGHT : 4.53KG/M



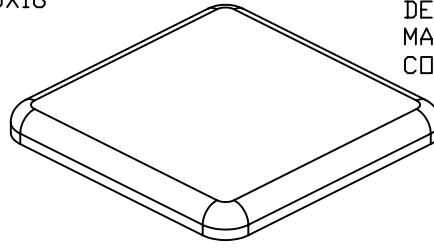
PART NO. : G8-SPL8080
 LENGTH : 5.5 M MAX
 DESCRIPTION : PROFILE 8 80X80 LIGHT
 MATERIAL : ALUMINIUM 6063-T5
 TREATMENT : NATURAL ANODISE
 WEIGHT : 5.33KG/M



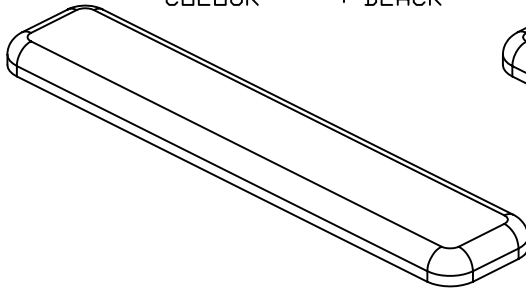
PART NO. : G8-SPH8080
 LENGTH : 5.5 M MAX
 DESCRIPTION : PROFILE 8 80X80 HEAVY
 MATERIAL : ALUMINIUM 6063-T5
 TREATMENT : NATURAL ANODISE
 WEIGHT : 7.18KG/M



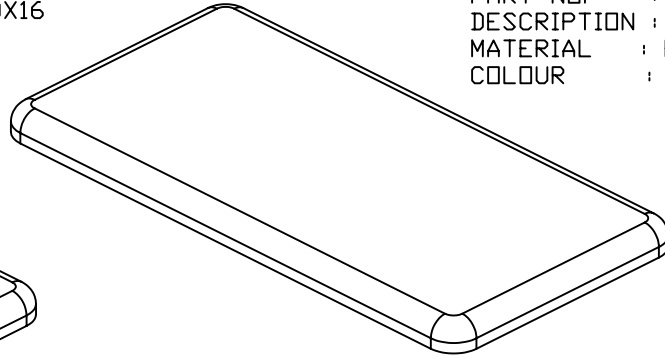
PART NO. : G8-ECP4016
 DESCRIPTION : CAP 8 40X16
 MATERIAL : PA
 COLOUR : BLACK



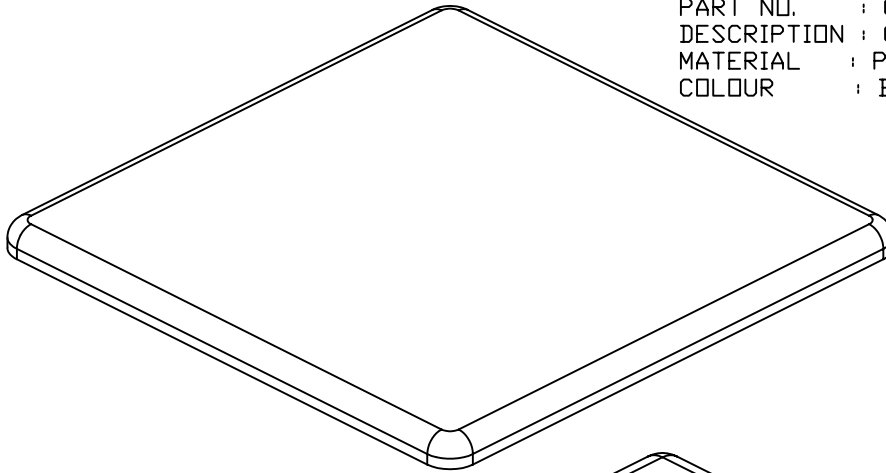
PART NO. : G8-ECP4040
 DESCRIPTION : CAP 8 40X40
 MATERIAL : PA
 COLOUR : BLACK



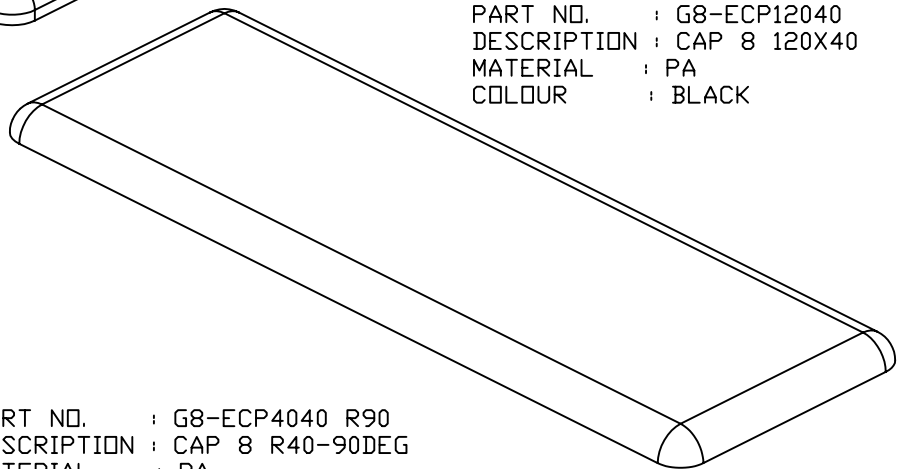
PART NO. : G8-ECP8016
 DESCRIPTION : CAP 8 80X16
 MATERIAL : PA
 COLOUR : BLACK



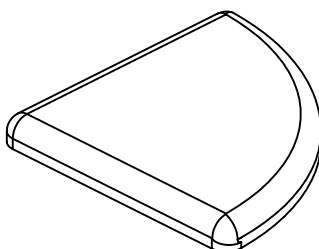
PART NO. : G8-ECP8040
 DESCRIPTION : CAP 8 80X40
 MATERIAL : PA
 COLOUR : BLACK



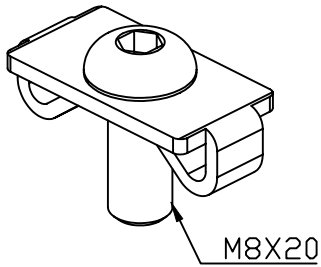
PART NO. : G8-ECP8080
 DESCRIPTION : CAP 8 80X80
 MATERIAL : PA
 COLOUR : BLACK



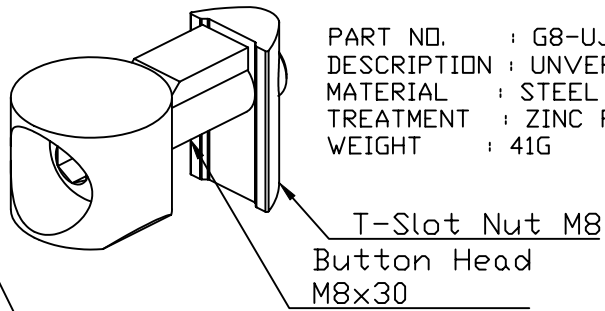
PART NO. : G8-ECP12040
 DESCRIPTION : CAP 8 120X40
 MATERIAL : PA
 COLOUR : BLACK



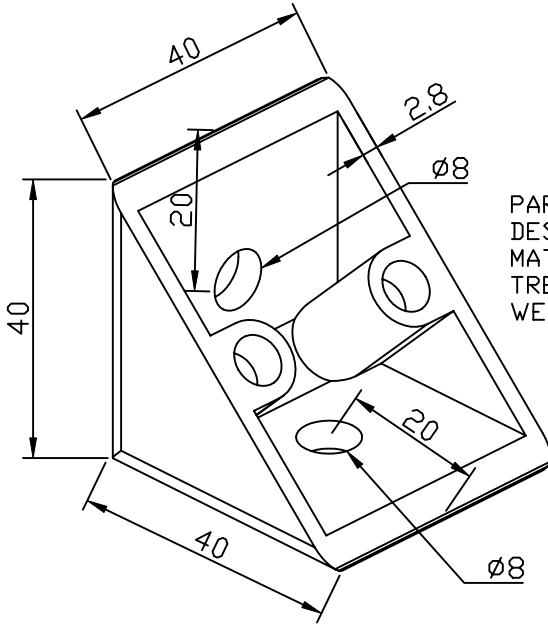
PART NO. : G8-ECP4040 R90
 DESCRIPTION : CAP 8 R40-90DEG
 MATERIAL : PA
 COLOUR : BLACK



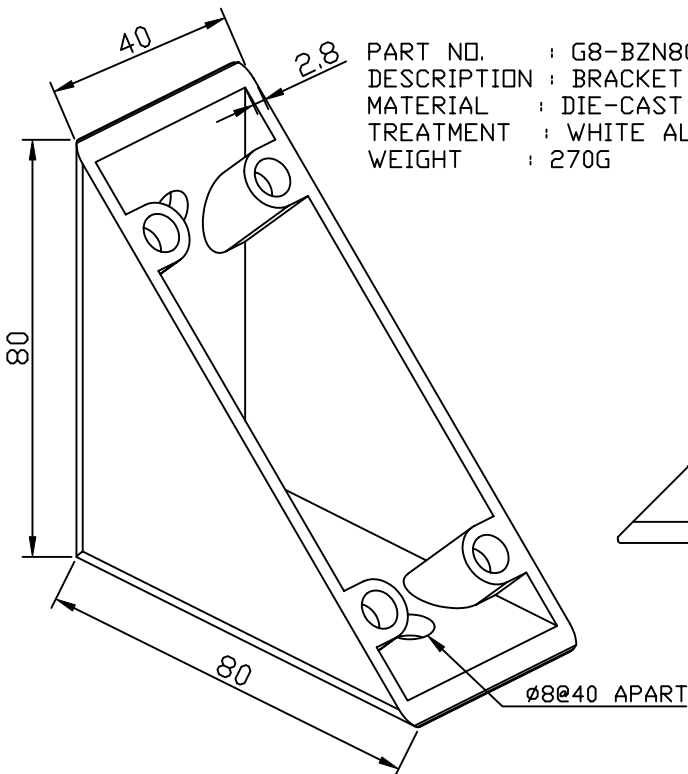
PART NO. : G8-SJT8
 DESCRIPTION : STD FASTENING SET 8
 MATERIAL : STEEL
 TREATMENT : ZINC PLATED
 WEIGHT : 21G



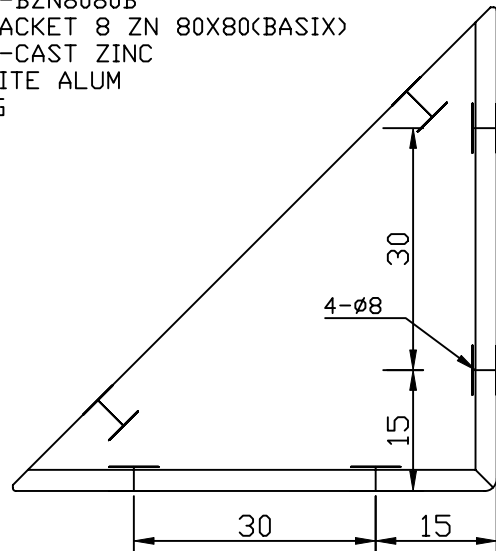
PART NO. : G8-UJT20
 DESCRIPTION : UNVERSAL FASTENING SET 8
 MATERIAL : STEEL
 TREATMENT : ZINC PLATED
 WEIGHT : 41G

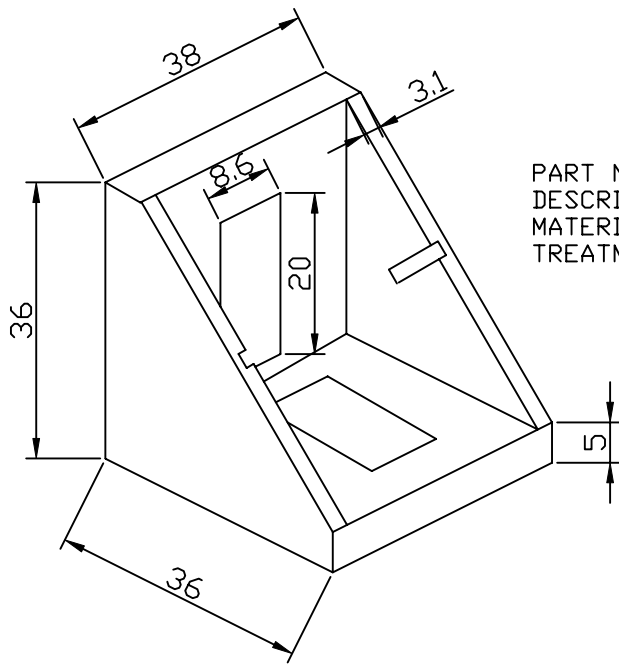


PART NO. : G8-BZN4040B
 DESCRIPTION : BRACKET 8 ZN 40X40(BASIX)
 MATERIAL : DIE-CAST ZINC
 TREATMENT : WHITE ALUM
 WEIGHT : 105G

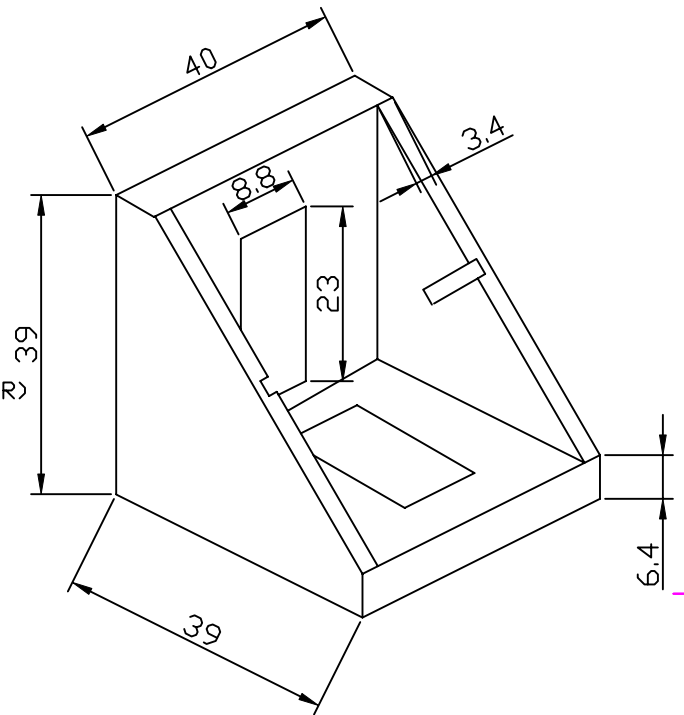


PART NO. : G8-BZN8080B
 DESCRIPTION : BRACKET 8 ZN 80X80(BASIX)
 MATERIAL : DIE-CAST ZINC
 TREATMENT : WHITE ALUM
 WEIGHT : 270G

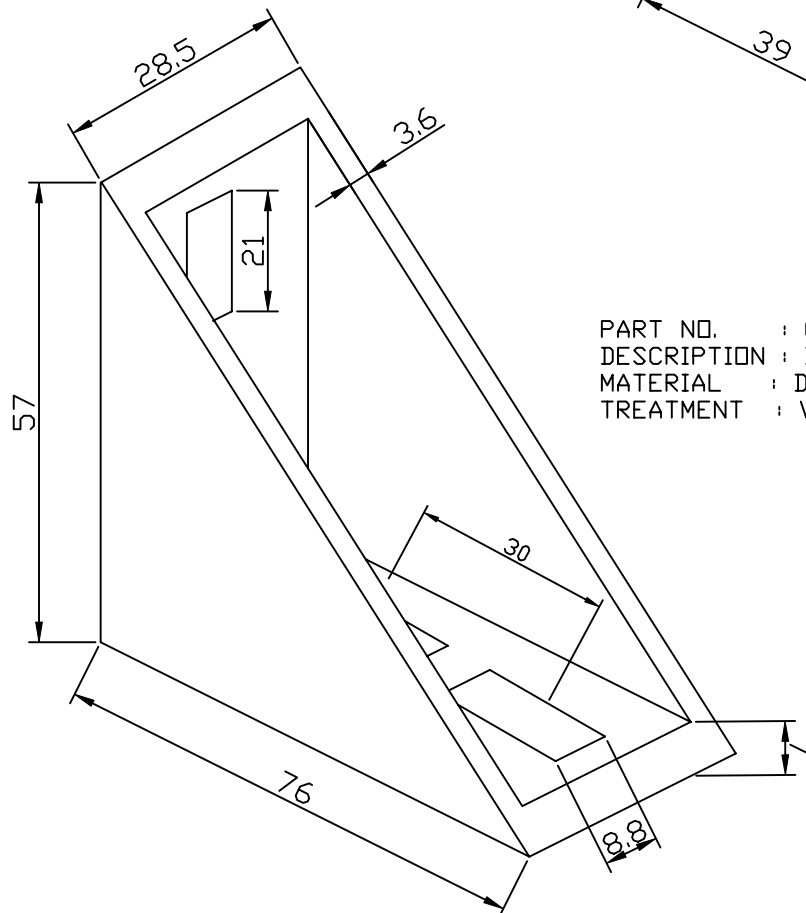




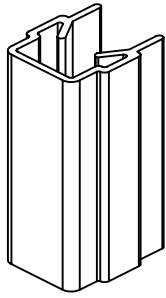
PART NO. : G8-BAL363638R
 DESCRIPTION : BRACKET 8 AL 36X36X38(RAW)
 MATERIAL : DIE-CAST ALUM
 TREATMENT : WHITE ALUM



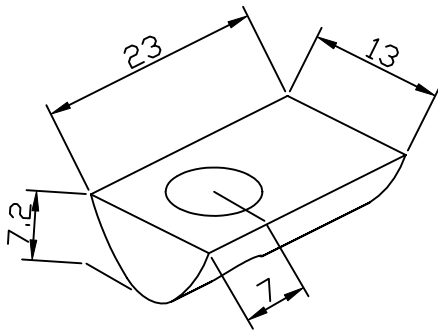
PART NO. : G8-BZN393940C
 DESCRIPTION : BRACKET 8 ZN 39X39X40 (COLOR)
 MATERIAL : DIE-CAST ZINC
 TREATMENT : POWEROAT/GREY
 OPTIONAL : CAP BLACK



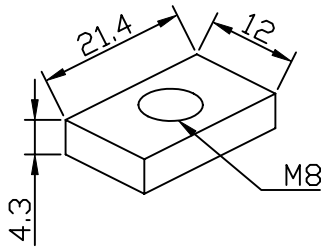
PART NO. : G8-BZN767638R
 DESCRIPTION : BRACKET 8 ZN 76X76X38(RAW)
 MATERIAL : DIE-CAST ZINC
 TREATMENT : WHITE ALUM



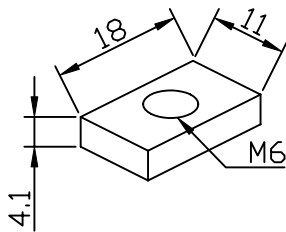
PART NO. : G8-GVC2000B
DESCRIPTION : COVER PROFILE 8-2M
MATERIAL : PP
COLOUR : BLACK
APPLICATION : USED AS GROOVE COVER & INSERT



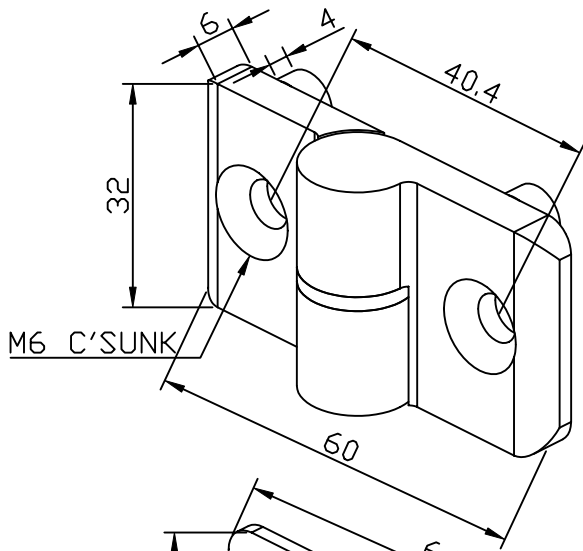
PART NO. : G8-TST4,G8-TST5,G8-TST-6, G8-TST-8
DESCRIPTION : T-SLOT NUT 8 ST M4,M5,M6,M8
MATERIAL : STEEL
TREATMENT : BRIGHT ZINC-PLATED



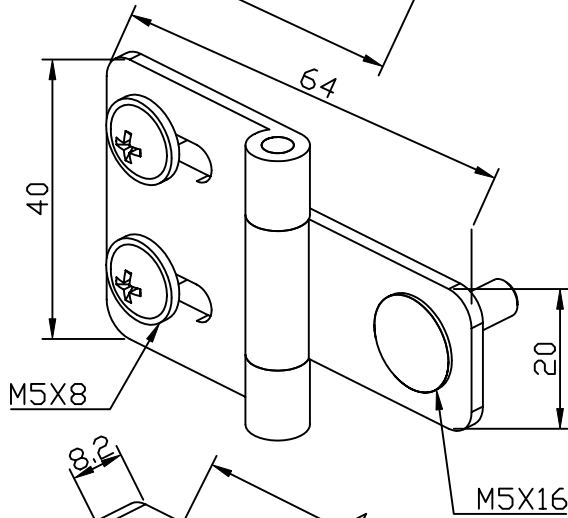
PART NO. : G8-RGN8
DESCRIPTION : RECTANGLE NUT 8 ST M8
MATERIAL : STEEL
TREATMENT : BRIGHT ZINC-PLATED



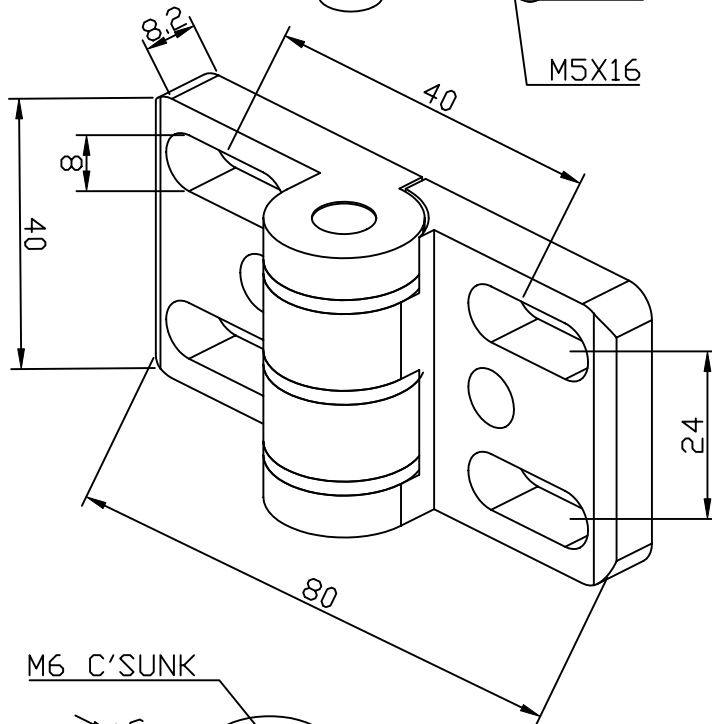
PART NO. : G8-RGN6
DESCRIPTION : RECTANGLE NUT 8 ST M6
MATERIAL : STEEL
TREATMENT : BRIGHT ZINC-PLATED



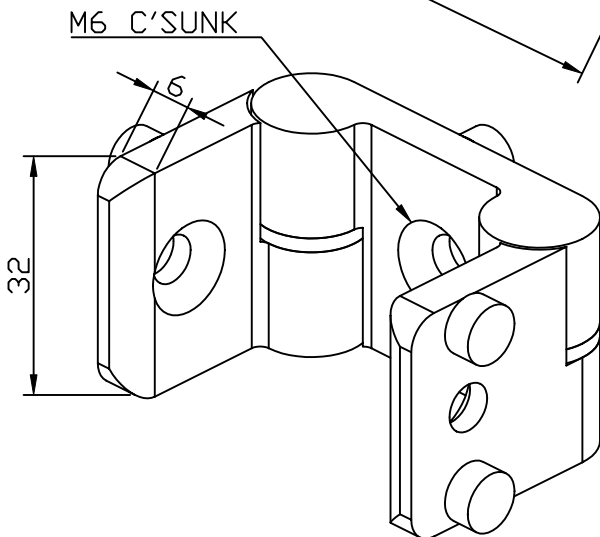
PART NO. : G8-HLD6032L/R
 DESCRIPTION : HINGE 8 PA LEFT / RIGHT
 MATERIAL : PA
 COLOUR : BLACK



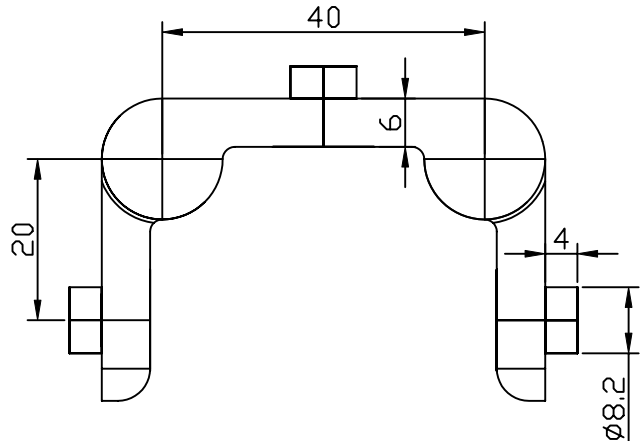
PART NO. : G8-HST6420
 DESCRIPTION : HINGE 8 ST
 MATERIAL : ST
 COLOUR : BLACK
 WEIGHT : 51G

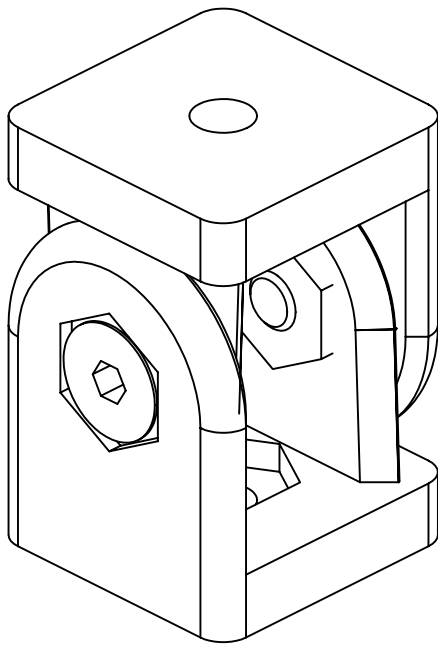


PART NO. : G8-HHD8040
 DESCRIPTION : HINGE 8 80X40 ZN
 MATERIAL : DIE-CAST ZINC
 COLOUR : BLACK
 WEIGHT : 180G

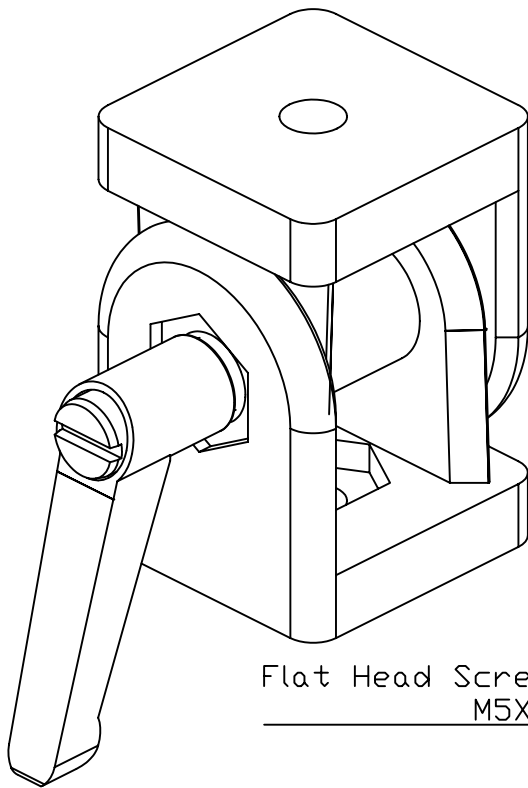


PART NO. : G8-DHL10032
 DESCRIPTION : HINGE 8 PA DOUBLE
 MATERIAL : PA
 COLOUR : BLACK
 WEIGHT : 40G



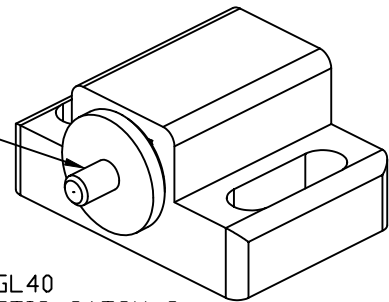


PART NO. : G8-AHI4040
 DESCRIPTION : HINGE 8 40X40 HEAVY DUTY
 MATERIAL : DIE-CAST ZINC
 ACCESSORIES : C/W 4 FIXING ELEMENT

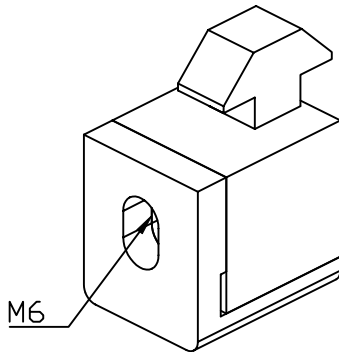


PART NO. : G8-AHI4040
 DESCRIPTION : HINGE 8 40X40 HEAVY DUTY
 MATERIAL : DIE-CAST ZINC
 ACCESSORIES : C/W 4 FIXING ELEMENT
 & CLAMP LEVER

Flat Head Screw
 M5X6

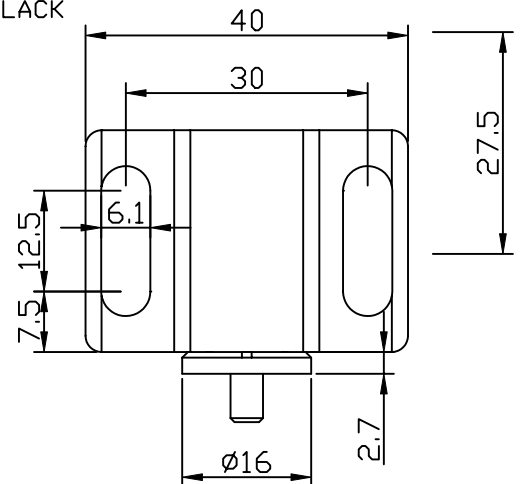


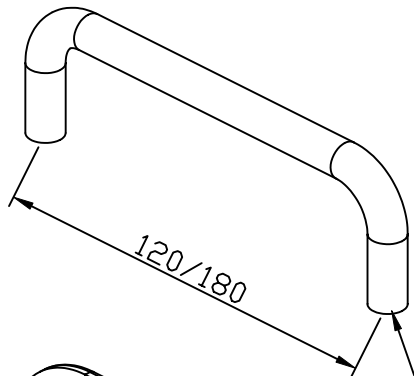
PART NO. : G8-MGL40
 DESCRIPTION : MAGNETIC CATCH 8
 MATERIAL : PA BLACK



PART NO. : G8-MBT2025T6
 DESCRIPTION : MULTIBLOCK 8 PA(T6)
 MATERIAL : PA BLACK
 APPLICATION : FOR 6mmt PERSPEX(13mm)

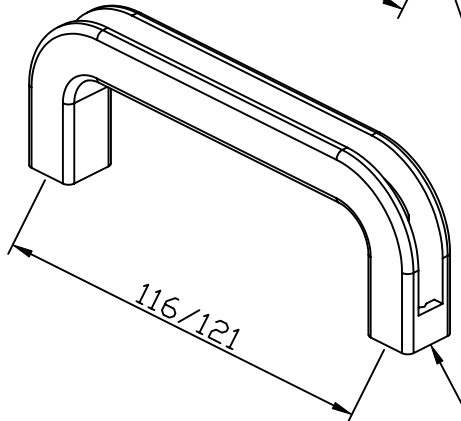
PART NO. : G8-SPACER5
 DESCRIPTION : MULTIBLOCK 8 PA SPACER 5MM
 MATERIAL : PA BLACK
 APPLICATION : FOR 1mmt PANEL





PART NO. : HGL120/180
 DESCRIPTION : HANDLE AL 120/180
 MATERIAL : ALUMINIUM
 TREATMENT : CLEAR ANODISE

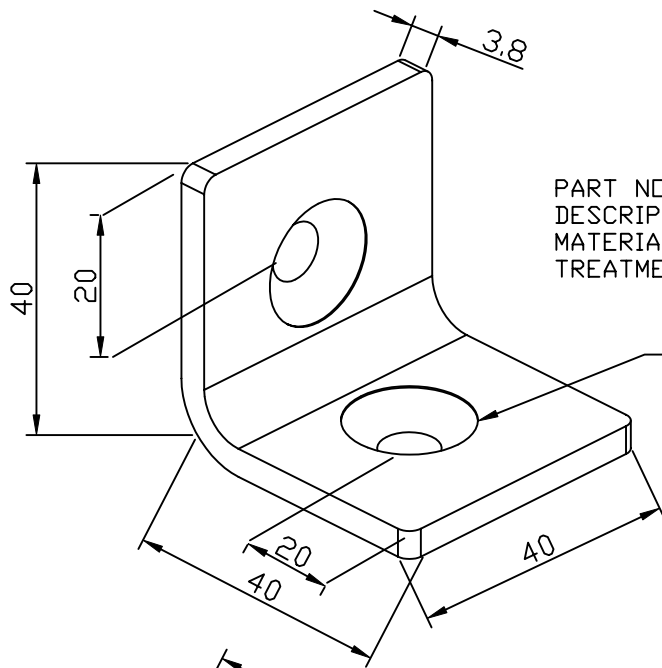
ACTUAL DESIGN OF HANDLES MAY BE DIFFERENT FROM THE PICTORIAL, PLS CHECK WITH MSE SYSTEMS



PART NO. : HGL116/121
 DESCRIPTION : HANDLE PA 116/121
 MATERIAL : PA BLACK
 TREATMENT : CLEAR ANODISE

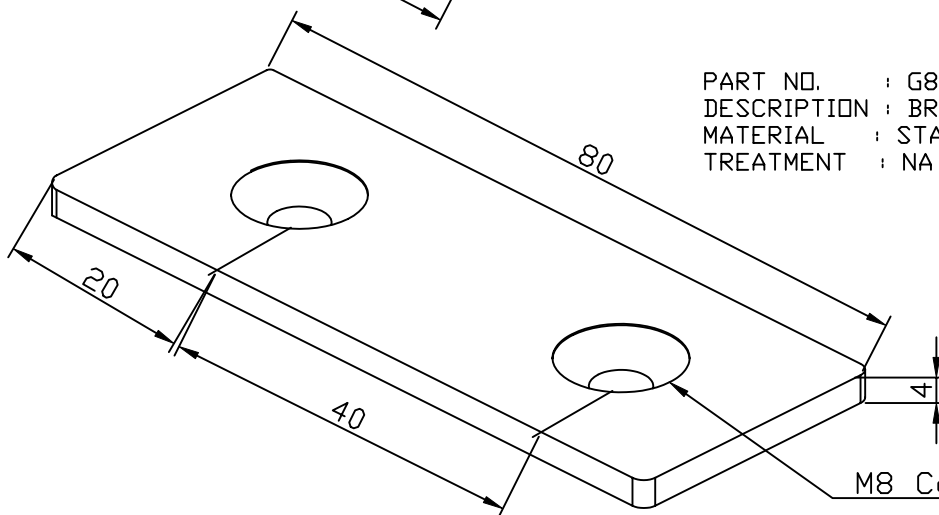
2-M5X10

ø5/ø8.8 typ



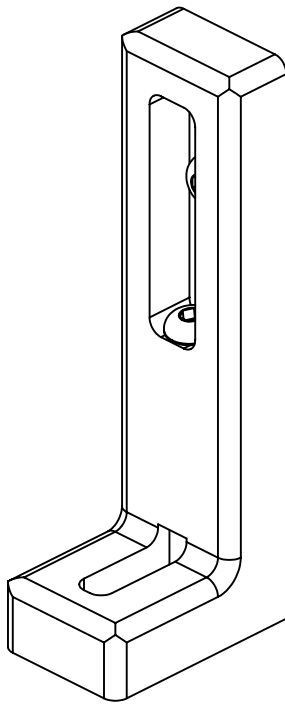
PART NO. : G8-JBT4040
 DESCRIPTION : BRACKET 8 ST 40X40X40(3.8mmt)
 MATERIAL : STAINLESS STEEL
 TREATMENT : NA

M8 Countersunk

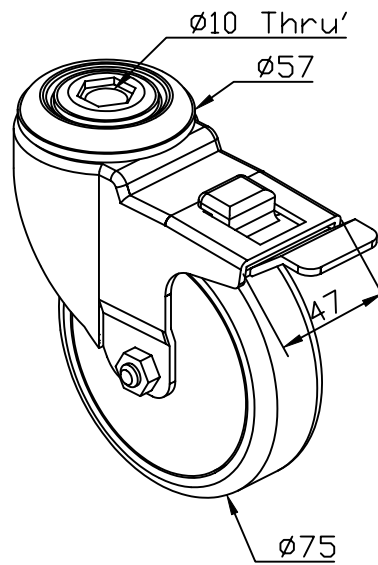


PART NO. : G8-JBT4080
 DESCRIPTION : BRACKET 8 ST 40X80 FLAT4mmt)
 MATERIAL : STAINLESS STEEL
 TREATMENT : NA

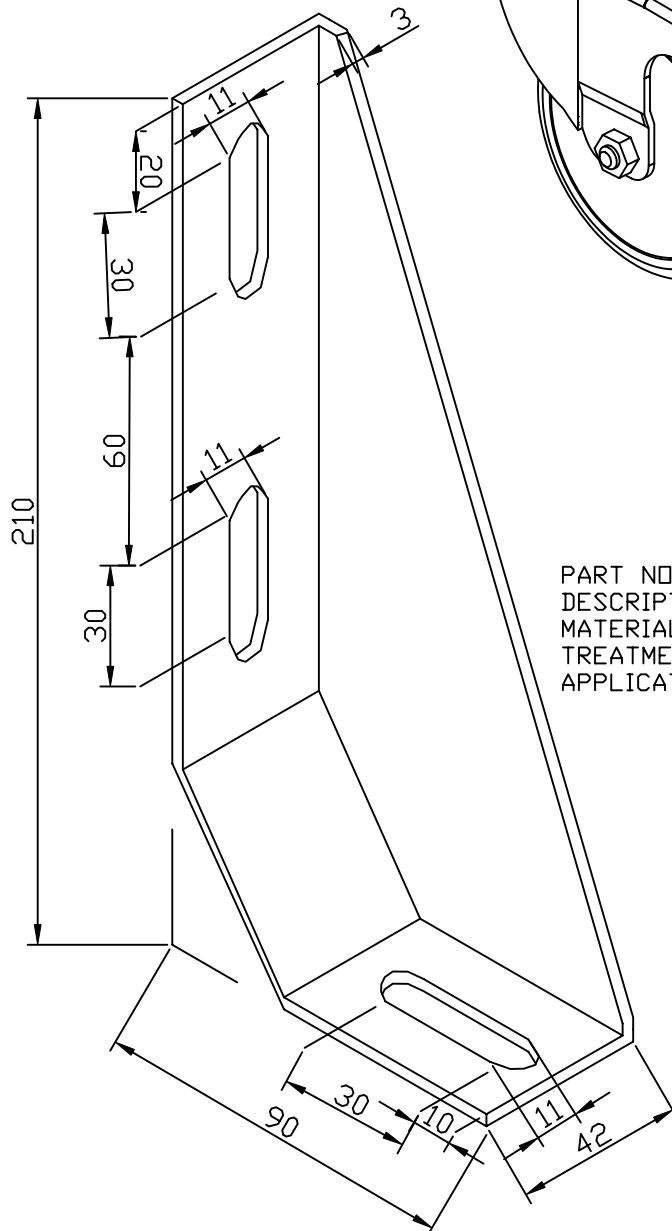
M8 Countersunk



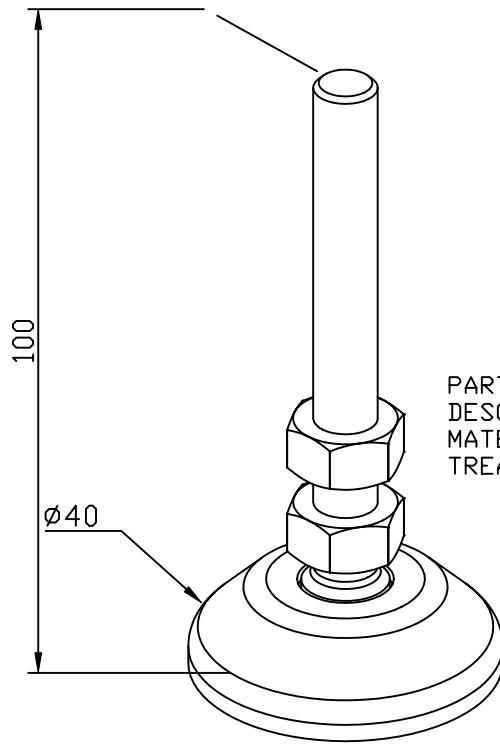
PART NO. : G8-AFX160/G8-AFX160-A
 DESCRIPTION : L-BASED FOOT NON-ADJUSTABLE/ADJUSTBLE
 MATERIAL : ALUMINIUM DIE CAST, BLACK
 ACCESSORIES : SCREW-M8X16/M8X80/T-SLOT NUT-M8



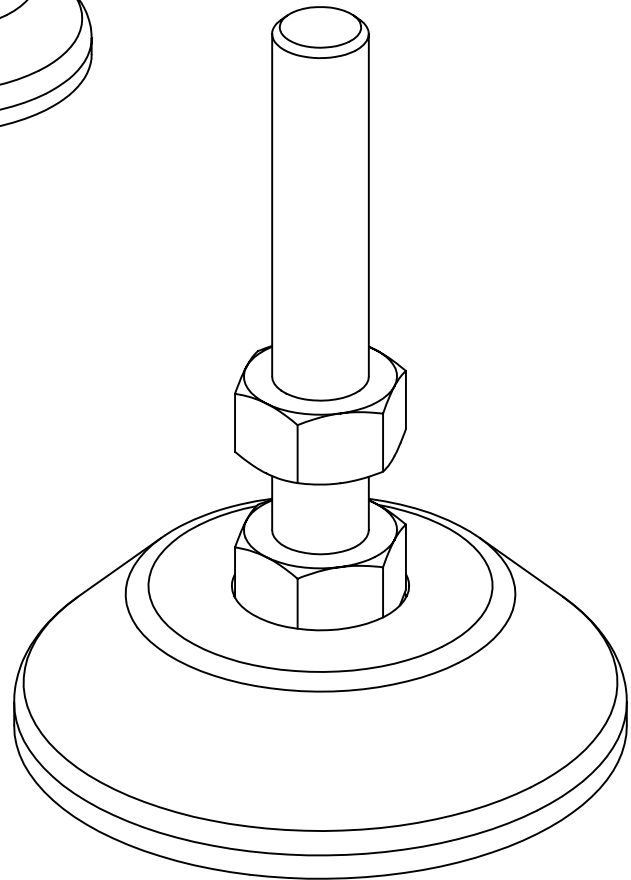
PART NO. : G8-CWD75DB
 DESCRIPTION : CASTER D75 DB
 MATERIAL : PU
 COLOUR : GREY



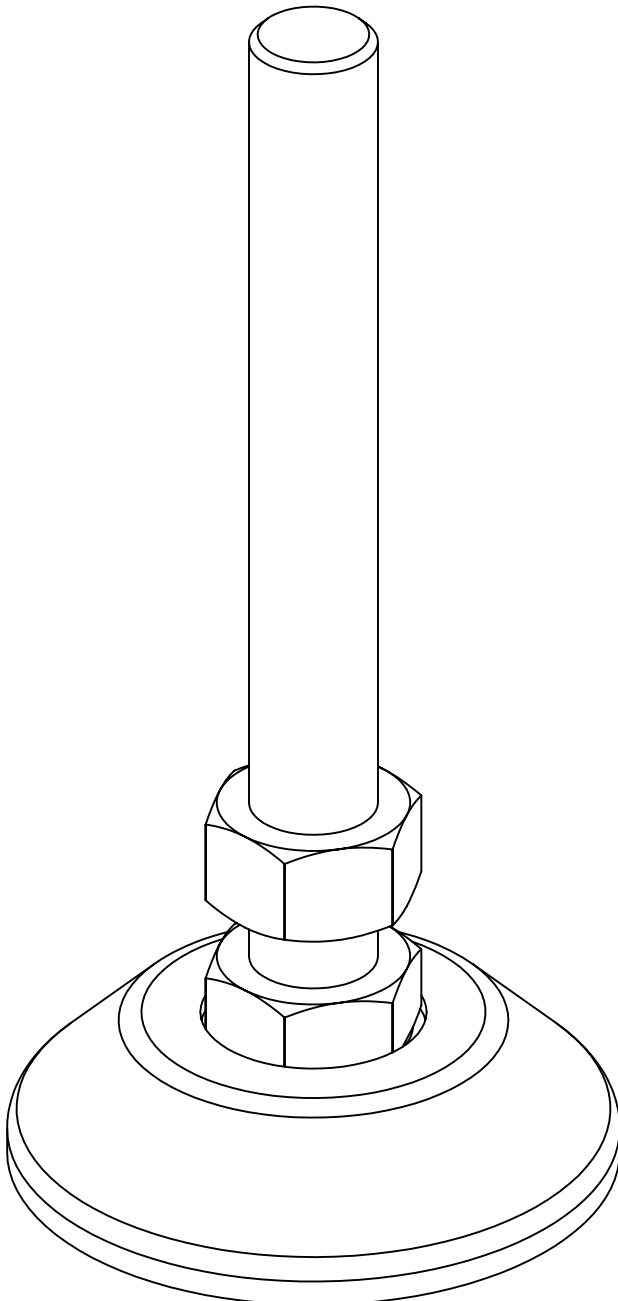
PART NO. : G8-FBT210X90X42
 DESCRIPTION : FOUNDATION BRACKET
 MATERIAL : MILD STEEL
 TREATMENT : ZINC PLATED
 APPLICATION : TO SECURE ALUM PROFILE TO FLOOR



PART NO. : LPS40-M8X100E
DESCRIPTION : LEVELLING PAD 40-M8X100(ECD)
MATERIAL : STEEL
TREATMENT : ZINC PLATED



PART NO. : LPS80-M12X100
DESCRIPTION : LEVELLING PAD 40-M8X100(ECD)
MATERIAL : STEEL
TREATMENT : ZINC PLATED



PART NO. : LPS80-M16X160
DESCRIPTION : LEVELLING PAD 80-M16X100(ECD)
MATERIAL : STEEL
TREATMENT : ZINC PLATED

