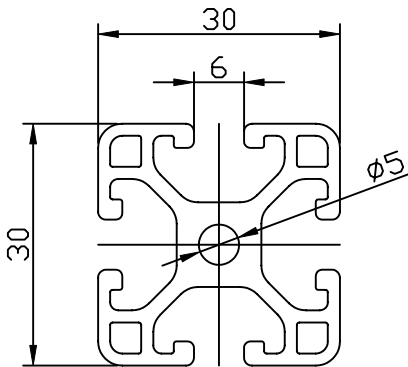
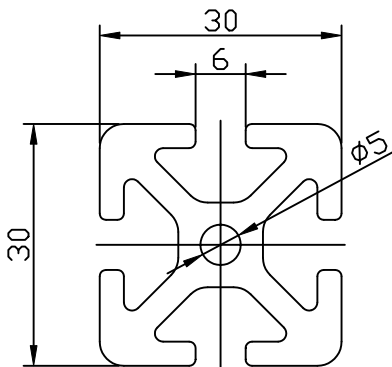


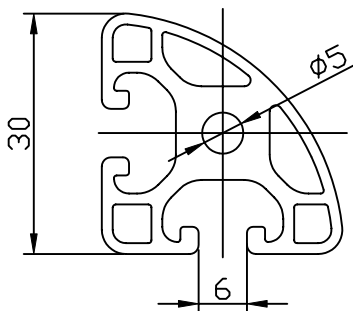
PART NO. : G6-SPL3030 1N
 LENGTH : 5.5 M MAX
 DESCRIPTION : PROFILE 6 3030 1N LIGHT
 MATERIAL : ALUMINIUM 6063-T5
 TREATMENT : NATURAL ANODISE
 WEIGHT : 0.94KG/M



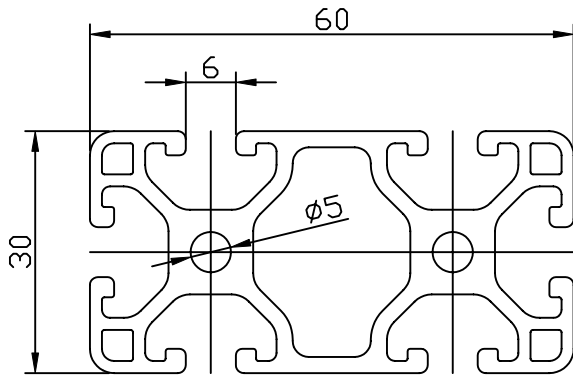
PART NO. : G6-SPL3030
 LENGTH : 5.5 M MAX
 DESCRIPTION : PROFILE 6 30X30 LIGHT
 MATERIAL : ALUMINIUM 6063-T5
 TREATMENT : NATURAL ANODISE
 WEIGHT : 0.93KG/M



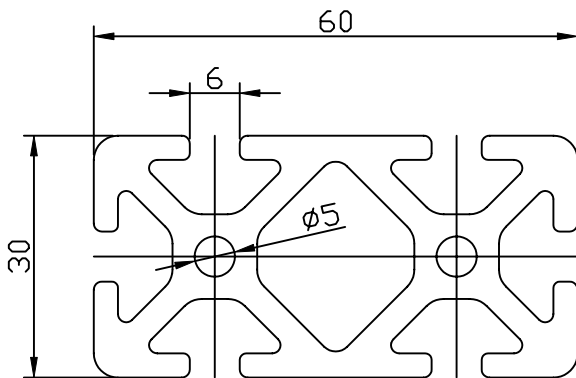
PART NO. : G6-SPH3030
 LENGTH : 5.5 M MAX
 DESCRIPTION : PROFILE 6 30X30 HEAVY
 MATERIAL : ALUMINIUM 6063-T5
 TREATMENT : NATURAL ANODISE
 WEIGHT : 1.26KG/M



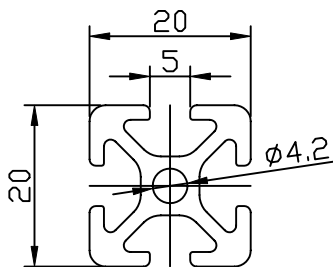
PART NO. : G6-SPL3030R90
 LENGTH : 5.5 M MAX
 DESCRIPTION : PROFILE 6 30X30 R90 LIGHT
 MATERIAL : ALUMINIUM 6063-T5
 TREATMENT : NATURAL ANODISE
 WEIGHT : 0.88KG/M



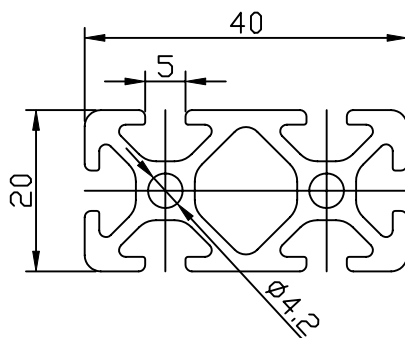
PART NO. : G6-SPL6030
 LENGTH : 5.5 M MAX
 DESCRIPTION : PROFILE 6 60X30 LIGHT
 MATERIAL : ALUMINIUM 6063-T5
 TREATMENT : NATURAL ANODISE
 WEIGHT : 1.65KG/M



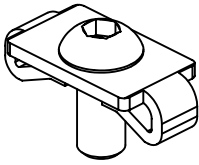
PART NO. : G6-SPH6030
 LENGTH : 5.5 M MAX
 DESCRIPTION : PROFILE 6 60X30 HEAVY
 MATERIAL : ALUMINIUM 6063-T5
 TREATMENT : NATURAL ANODISE
 WEIGHT : 2.29KG/M



PART NO. : G5-SPH2020
 LENGTH : 5.5 M MAX
 DESCRIPTION : PROFILE 5 20X20 HEAVY
 MATERIAL : ALUMINIUM 6063-T5
 TREATMENT : NATURAL ANODISE
 WEIGHT : 0.48KG/M

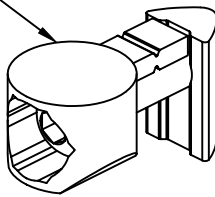


PART NO. : G5-SPH-4020
 LENGTH : 5.5 M MAX
 DESCRIPTION : PROFILE 5 40X20 HEAVY
 MATERIAL : ALUMINIUM 6063-T5
 TREATMENT : NATURAL ANODISE
 WEIGHT : 0.89KG/M

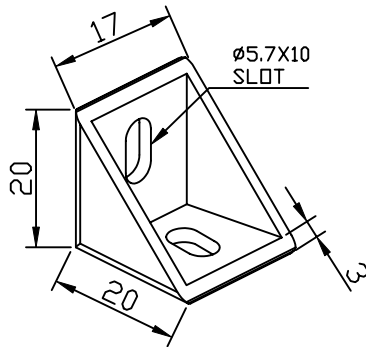


PART NO. : G5-SJT5 , G6-SJT6
 DESCRIPTION : STANDARD FASTENING SET
 MATERIAL : STEEL
 TREATMENT : BRIGHT ZINC PLATED
 ACCESSORIES: G5-BUTTON HEAD SCREW, M5X12
 ACCESSORIES: G6-BUTTON HEAD SCREW, M6X14

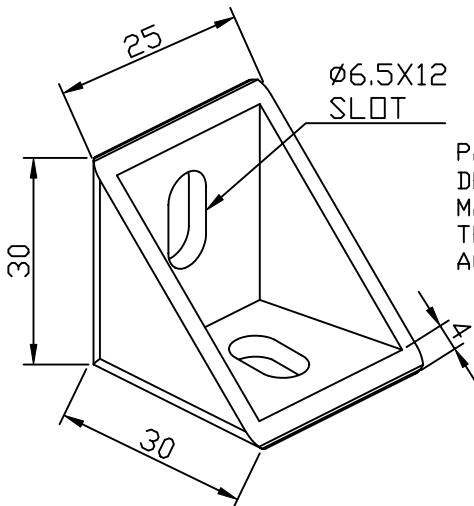
G5: $\phi 12$, t=8.5
 G6: $\phi 16$, t=12.6



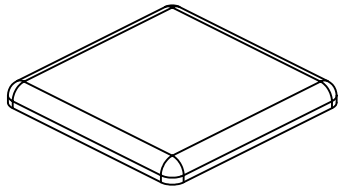
PART NO. : G5-UJT12 , G6-UJT6
 DESCRIPTION : UNIVERSAL FASTENING SET
 MATERIAL : STEEL
 TREATMENT : BRIGHT ZINC PLATED
 ACCESSORIES: G5-CAP HEAD SCREW, M4X14, T-SLOT NUT-M4
 ACCESSORIES: G6-BUTTON HEAD SCREW, M6X22, T-SLOT NUT-M6



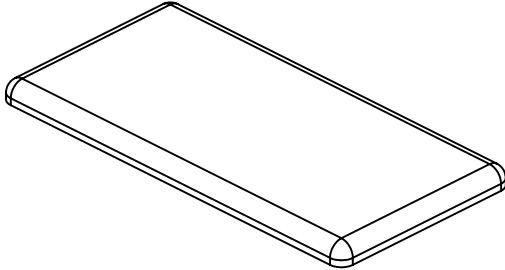
PART NO. : G6-AL303025
 DESCRIPTION : BRACKET 6 AL 30X30 X25
 MATERIAL : DIE CAST ALUM
 TREATMENT : WHITE ALUM
 ACCESSORIES: BUTTON HEAD SCREW, M6X12, T-SLOT NUT6-M6



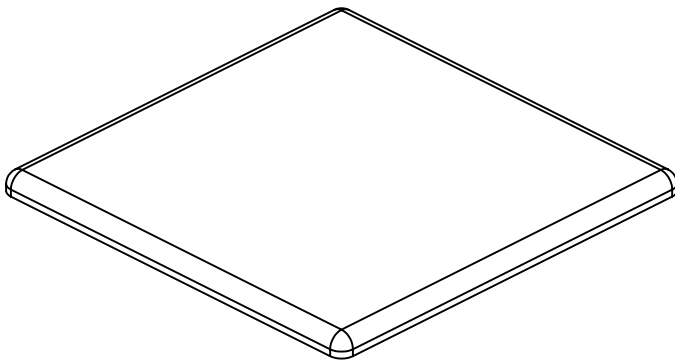
PART NO. : G5-BZN202017R
 DESCRIPTION : BRACKET 5 ZN 20X20X17(RAW)
 MATERIAL : DIE CAST ALUM
 TREATMENT : WHITE ALUM
 ACCESSORIES: BUTTON HEAD SCREW, M6X12, T-SLOT NUT6-M6



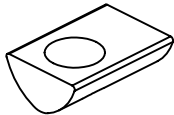
PART NO. : G5-ECP2020 , G6-ECP3030
 DESCRIPTION : CAP 5 20X20 & CAP 6 30X30
 MATERIAL : PA
 COLOUR : BLACK



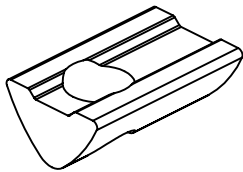
PART NO. : G5-ECP4020 , G6-ECP6030
 DESCRIPTION : CAP 5 40X20 & CAP 6 60X30
 MATERIAL : PA
 COLOUR : BLACK



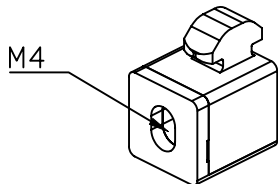
PART NO. : G5-ECP4040 , G6-ECP6060
 DESCRIPTION : CAP 5 40X40 & CAP 6 60X60
 MATERIAL : PA
 COLOUR : BLACK



PART NO. : G5-TST3,G5-TST4,G5-TST5
 DESCRIPTION : T-SLOT NUT 5 ST M3,M4,M5
 MATERIAL : STEEL
 TREATMENT : BRIGHT ZINC-PLATED

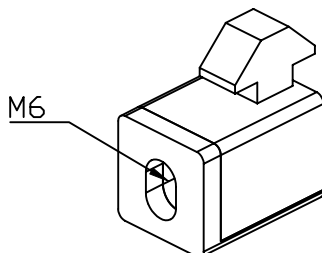


PART NO. : G6-TST3,G6-TST4,G6-TST5,G6-TST6
 DESCRIPTION : T-SLOT NUT 5 ST M3,M4,M5,M6
 MATERIAL : STEEL
 TREATMENT : BRIGHT ZINC-PLATED

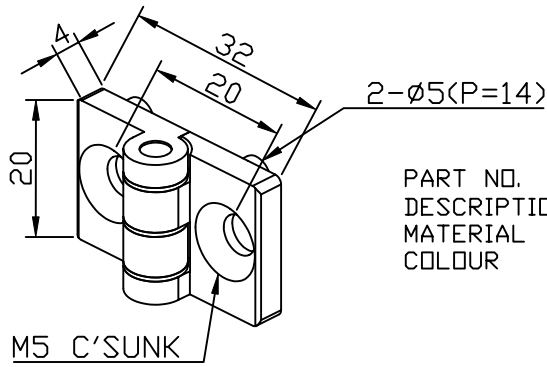


PART NO. : G5-MBP1613
 DESCRIPTION : MULTIBLOCK 5 PA
 MATERIAL : PA BLACK
 APPLICATION : FOR 5 mmt PERSPEX(8mm)

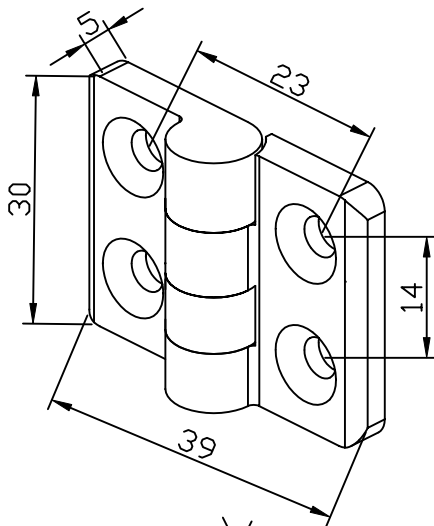
DESIGN OF THE MULTIBLOCKS MAY BE DIFFERENT FROM THE PICTORIAL. PLEASE ASK MSE SYSTEMS



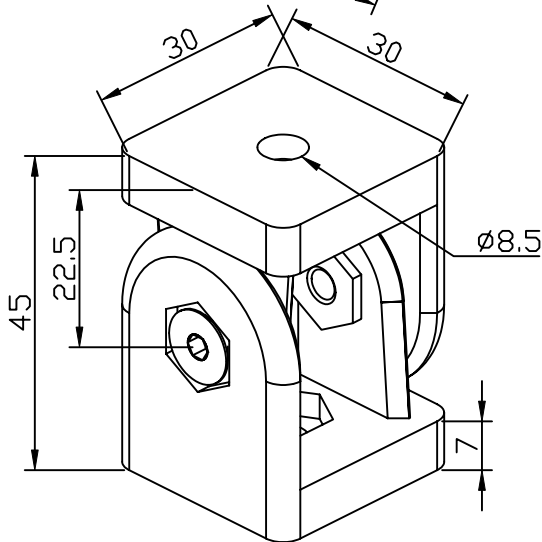
PART NO. : G6-MBP1825T6
 DESCRIPTION : MULTIBLOCK 6 PA(T6)
 MATERIAL : PA BLACK
 APPLICATION : FOR 6 mmt PERSPEX(13mm)



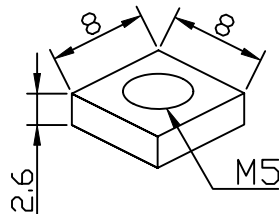
PART NO. : G5-HLD3220
 DESCRIPTION : HINGE 5 PA 32X20(P=14)
 MATERIAL : PA
 COLOUR : BLACK



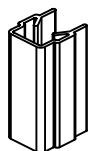
PART NO. : G6-HLD3930
 DESCRIPTION : HINGE 6 PA 39X30(P=23)
 MATERIAL : PA
 COLOUR : BLACK



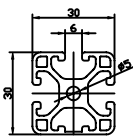
PART NO. : G6-AHI3030
 DESCRIPTION : HINGE 6 30X30 HEAVY DUTY
 MATERIAL : DIE-CAST ZINC
 TREATMENT : BRIGHT ZINC-PLATED
 APPLICATION: FOR CONNECTING PROFILES
 AT VARIOUS ANGLES



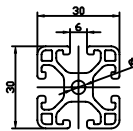
PART NO. : G5-SQN5
 DESCRIPTION : SQUARE NUT 5 ST M5
 MATERIAL : STEEL
 TREATMENT : BRIGHT ZINC-PLATED



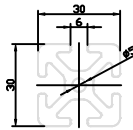
PART NO. : G5-GVC2000B, G6-GVC2000B
 DESCRIPTION : COVER PROFILE 5, 6 (2M)
 MATERIAL : STEEL
 APPLICATION : CAN BE USED AS GROOVE COVER
 OR GROOVE INSERT TO HOLD
 3mm(G5)OR 4mm(G6) PERSPEX OR GLASS



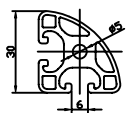
PART NO. : G6-SPL3030 IM
 LENGTH : 5.5 M MAX
 DESCRIPTION : PROFILE 6 3030 IN LIGHT
 MATERIAL : ALUMINIUM 6063-T5
 TREATMENT : NATURAL ANODISE
 WEIGHT : 0.94KG/M



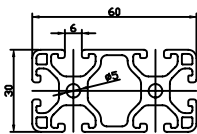
PART NO. : G6-SPL3030
 LENGTH : 5.5 M MAX
 DESCRIPTION : PROFILE 6 3030 LIGHT
 MATERIAL : ALUMINIUM 6063-T5
 TREATMENT : NATURAL ANODISE
 WEIGHT : 0.93KG/M



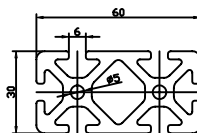
PART NO. : G6-SPH3030
 LENGTH : 5.5 M MAX
 DESCRIPTION : PROFILE 6 3030 HEAVY
 MATERIAL : ALUMINIUM 6063-T5
 TREATMENT : NATURAL ANODISE
 WEIGHT : 1.26KG/M



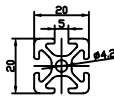
PART NO. : G6-SPL3030R90
 LENGTH : 5.5 M MAX
 DESCRIPTION : PROFILE 6 3030 R90 LIGHT
 MATERIAL : ALUMINIUM 6063-T5
 TREATMENT : NATURAL ANODISE
 WEIGHT : 0.88KG/M



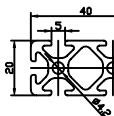
PART NO. : G6-SPL6030
 LENGTH : 5.5 M MAX
 DESCRIPTION : PROFILE 6 6030 LIGHT
 MATERIAL : ALUMINIUM 6063-T5
 TREATMENT : NATURAL ANODISE
 WEIGHT : 1.63KG/M



PART NO. : G6-SPH6030
 LENGTH : 5.5 M MAX
 DESCRIPTION : PROFILE 6 6030 HEAVY
 MATERIAL : ALUMINIUM 6063-T5
 TREATMENT : NATURAL ANODISE
 WEIGHT : 2.29KG/M



PART NO. : G6-SPH2020
 LENGTH : 5.5 M MAX
 DESCRIPTION : PROFILE 6 2020 HEAVY
 MATERIAL : ALUMINIUM 6063-T5
 TREATMENT : NATURAL ANODISE
 WEIGHT : 0.48KG/M



PART NO. : G6-SPH4020
 LENGTH : 5.5 M MAX
 DESCRIPTION : PROFILE 6 4020 HEAVY
 MATERIAL : ALUMINIUM 6063-T5
 TREATMENT : NATURAL ANODISE
 WEIGHT : 0.89KG/M

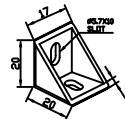


PART NO. : G5-SJT5, G6-SJT6
 DESCRIPTION : STANDARD FASTENING SET
 MATERIAL : STEEL
 TREATMENT : BRIGHT ZINC PLATED
 ACCESSORIES : G5-BUTTON HEAD SCREW, M6X12
 ACCESSORIES : G6-BUTTON HEAD SCREW, M6X14

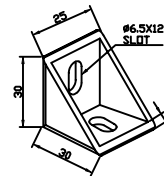
#16,t=12.6



PART NO. : G5-LJT12, G6-LJT6
 DESCRIPTION : UNIVERSAL FASTENING SET
 MATERIAL : STEEL
 TREATMENT : BRIGHT ZINC PLATED
 ACCESSORIES : G5-CAP HEAD SCREW, M6X14, T-SLOT NUT-M6
 ACCESSORIES : G6-BUTTON HEAD SCREW, M6X22, T-SLOT NUT-M6



PART NO. : G6-AL3030S5
 DESCRIPTION : BRACKET 6 AL 30X30 X25
 MATERIAL : DIE CAST ALUM
 TREATMENT : WHITE ALUM
 ACCESSORIES : BUTTON HEAD SCREW, M6X12, T-SLOT NUT6-M6



PART NO. : G5-32H20017R
 DESCRIPTION : BRACKET 5 2H 20X20X17RAV
 MATERIAL : DIE CAST ALUM
 TREATMENT : WHITE ALUM
 ACCESSORIES : BUTTON HEAD SCREW, M6X12, T-SLOT NUT6-M6

6-1.1

G5 & G6 SERIES

HSE SYSTEMS PTE LTD

6-1.2

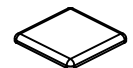
G5 & G6 SERIES

HSE SYSTEMS PTE LTD

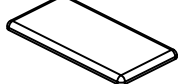
6-1.3

G5 & G6 SERIES

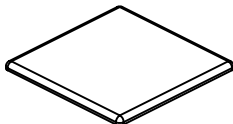
HSE SYSTEMS PTE LTD



PART NO. : G5-ECP2020, G6-ECP3030
 DESCRIPTION : CAP 5 20X20 & CAP 6 30X30
 MATERIAL : PA
 COLOUR : BLACK



PART NO. : G5-ECP4020, G6-ECP6030
 DESCRIPTION : CAP 5 40X40 & CAP 6 60X30
 MATERIAL : PA
 COLOUR : BLACK



PART NO. : G5-ECP4040, G6-ECP6060
 DESCRIPTION : CAP 5 40X40 & CAP 6 60X60
 MATERIAL : PA
 COLOUR : BLACK



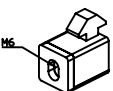
PART NO. : G5-TS10,G5-TS14,G5-TS18
 DESCRIPTION : T-SLOT NUT 5 ST M3,M4,M5
 MATERIAL : STEEL
 TREATMENT : BRIGHT ZINC-PLATED



PART NO. : G6-TS10,G6-TS14,G6-TS18,G6-TS16
 DESCRIPTION : T-SLOT NUT 5 ST M3,M4,M5,M6
 MATERIAL : STEEL
 TREATMENT : BRIGHT ZINC-PLATED



PART NO. : G5-MBP1613
 DESCRIPTION : MULTIBLOCK 5 PA
 MATERIAL : PA BLACK
 APPLICATION : FOR 5 mm PERSPEX/3mm



PART NO. : G6-MBP18216
 DESCRIPTION : MULTIBLOCK 6 PA(6)
 MATERIAL : PA BLACK
 APPLICATION : FOR 6 mm PERSPEX(3mm)

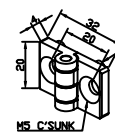
NOTE: THE MULTIBLOCK MUST BE
 CLEAN AND THE SYSTEM

6-1.4

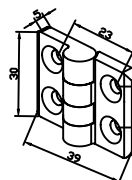
G5 & G6 SERIES

HSE SYSTEMS PTE LTD

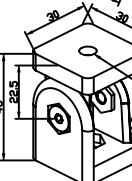
6-1.5



PART NO. : G5-HL30200
 DESCRIPTION : HINGE 5 PA 30X20(P=14)
 MATERIAL : PA
 COLOUR : BLACK



PART NO. : G6-HL39930
 DESCRIPTION : HINGE 6 PA 39X30(P=23)
 MATERIAL : PA
 COLOUR : BLACK



PART NO. : G6-ME2030
 DESCRIPTION : HINGE 6 30X30 HEAVY DUTY
 MATERIAL : DIE-CAST ZINC
 TREATMENT : BRIGHT ZINC-PLATED
 APPLICATION : FOR CONNECTING PROFILES
 AT VARIOUS ANGLES



PART NO. : G5-SQNS
 DESCRIPTION : SQUARE NUT 5 ST M5
 MATERIAL : STEEL
 TREATMENT : BRIGHT ZINC-PLATED



PART NO. : G5-GVC2000, G6-GVC2000
 DESCRIPTION : COVER PROFILE 5, 6 G20
 MATERIAL : STEEL
 APPLICATION : CAN BE USED AS GROOVE COVER
 OR GROOVE INSERT TO HOLD
 3mm(G20)OR 4mm(G6) PERSPEX OR GLASS

6-1.4

G5 & G6 SERIES

HSE SYSTEMS PTE LTD

6-1.5

G5 & G6 SERIES

HSE SYSTEMS PTE LTD